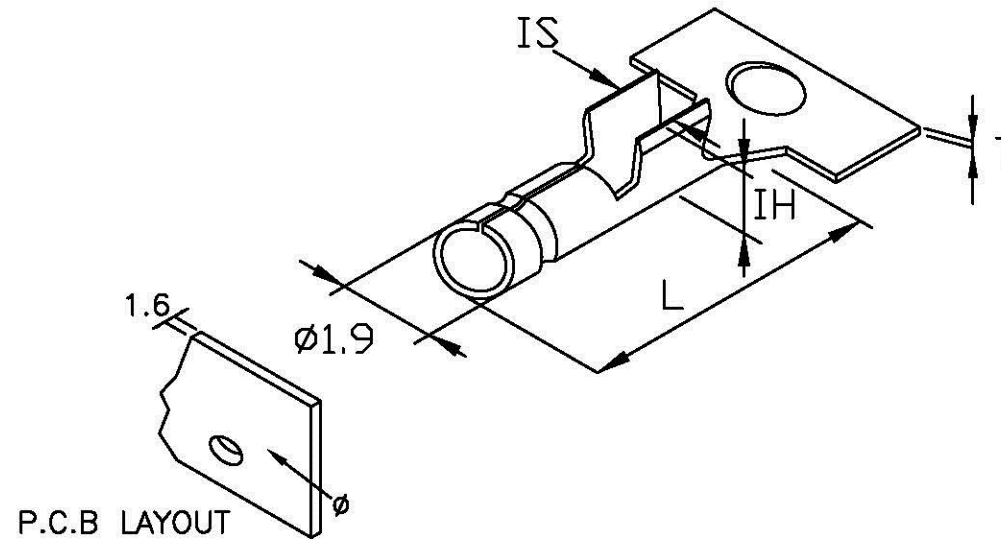


# DIP TYPE SERIES

unit:mm



E019

PART/NO.	WIRE RANGE	T	L	IS	IH	P.C.B(φ)	C/W	P.C.B(T)	MATERIAL	FINISH
E019	AWG#18-22	0.15	6.2	2.0	1.6	1.8	1.55	1.2-1.6	BRASS	TIN-plated